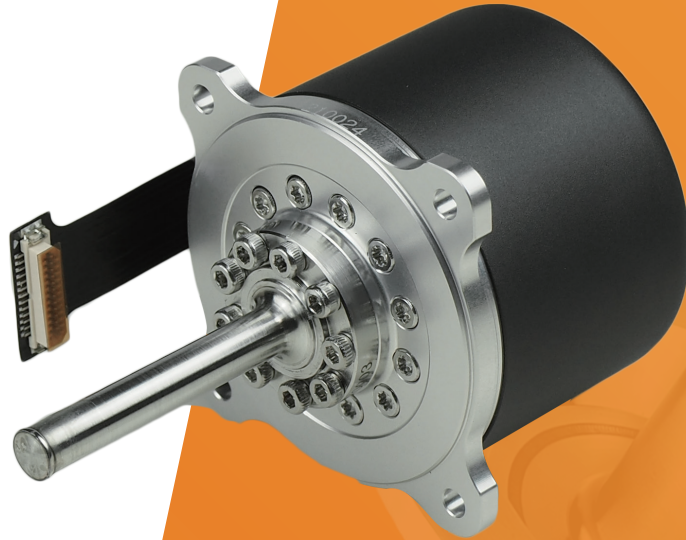


## Cryocooler

# TC2570 TC26G0

Aiming at the applications of infrared thermal imagers and IR sensors, the TC2570 and TC26G0 Stirling microcoolers are designed with integral free-displacer construction and driven by single linear motor. The cold fingers are compatible with the IDCA (Integrated Dewar Cooler Assembly) structure.

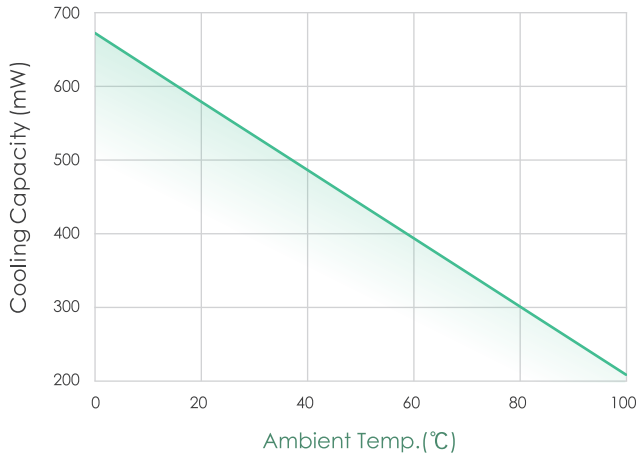


### Features

- 1** Linear gas-bearing compressor, high MTF (>20000 hrs)
- 2** Compact single piston structure, light weight
- 3** Built-in active vibration canceller, very low vibration output
- 4** Built-in controller, easy to use
- 5** Ideal for 24/7 operation

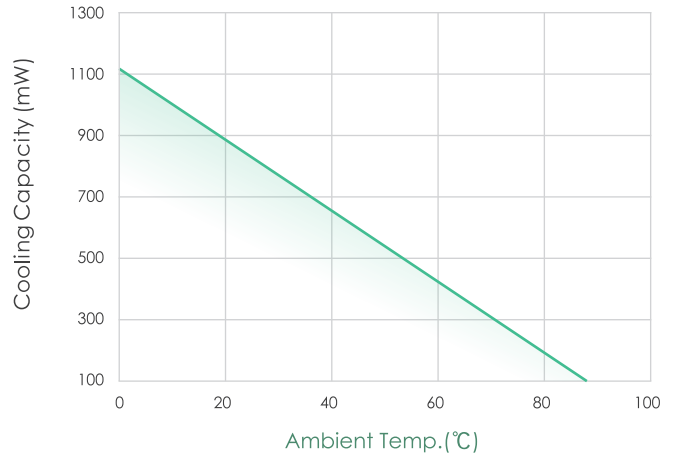
## Typical performance

Cooling Capacity vs. Temperature  
18W Input Power



TC2570

Cooling Capacity vs. Temperature  
6W Input Power



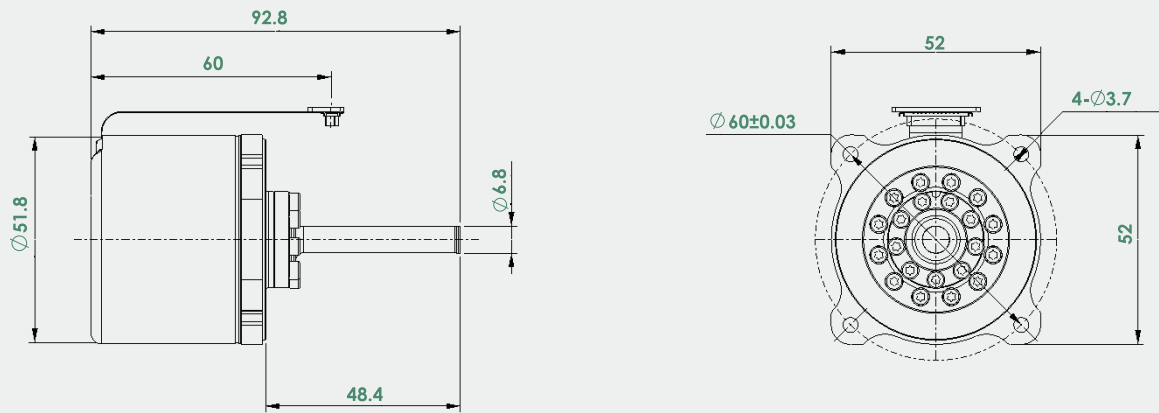
TC26G0

# Specifications

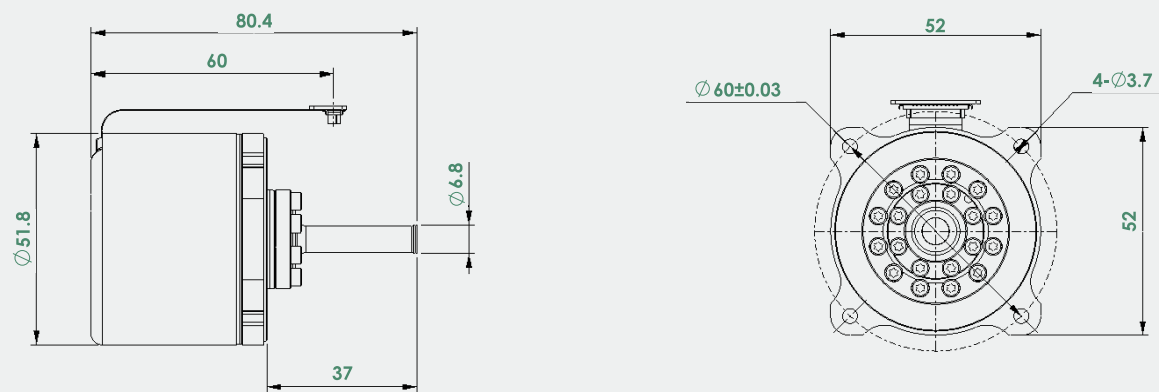
Model	TC2570	TC26G0
Operating Temperature	-40°C ~ +70°C	-40°C ~ +70°C
Nominal Input Power	18W	6W
Nominal Cooling Capacity (20°C reject)	500mW@77K	650mW@160K
Max. Cooling Capacity(20°C reject)	600mW@77K	1000mW@160K
Power Supply	12V DC	12V DC
Lowest Temperature	55K	80K
Weight	265g	260g
Temperature Stability	± 0.2K	± 0.2K
Orientation	Any	Any

# Dimensions

TC2570



TC26G0



**For more information:**

Call : +86 755 26985788      Email : sales@lihan.com  
 Web : www.lihan.com  
 Add.: 3/F, Bldg. 4, Pingshan Minqi Industrial Park,  
 Lishan Rd., Nanshan, Shenzhen, 518055, China

\*All dimensions in mm. Data subject to change without notice.

**Cryocooler** 3W@77K

# TC3380

The TC3380 cryocooler integrates linear compressor with dual opposed gas bearing pistons, and a pulse tube cold finger with dual opposed ambient displacers as the phase shifter. More than 3 W cooling power can be delivered at 77 K tip temperature. It is for applications where the efficiency is one of the key concerns.

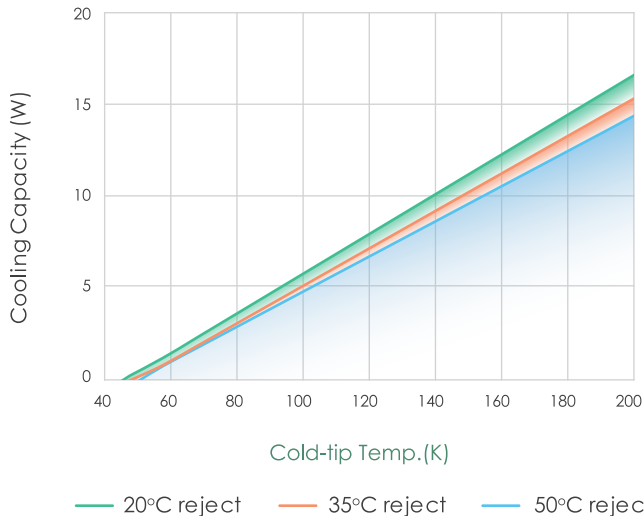


## Features

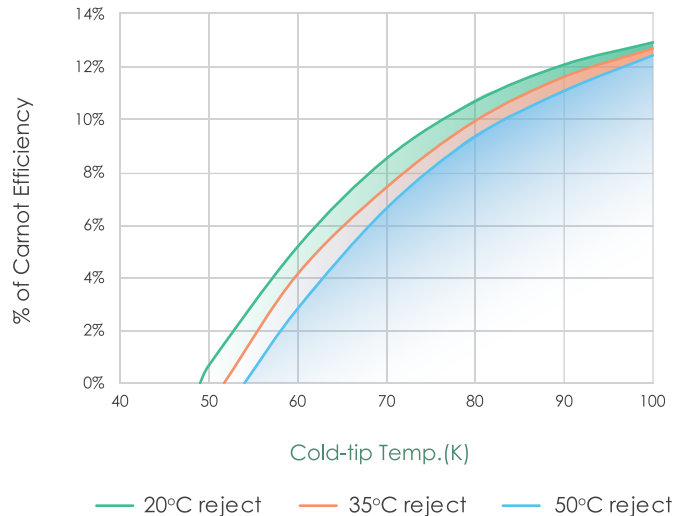
- 1** Dual opposed gas bearing pistons driven by linear motors, high MTTF (>50000 hrs)
- 2** Pulse tube cold finger integrated with dual opposed ambient displacers, acoustic power recovery and high efficiency
- 3** Integral configuration, easy to use
- 4** Motor stator isolated from gas chamber, higher reliability
- 5** Ideal for 24/7 operation

## Typical performance

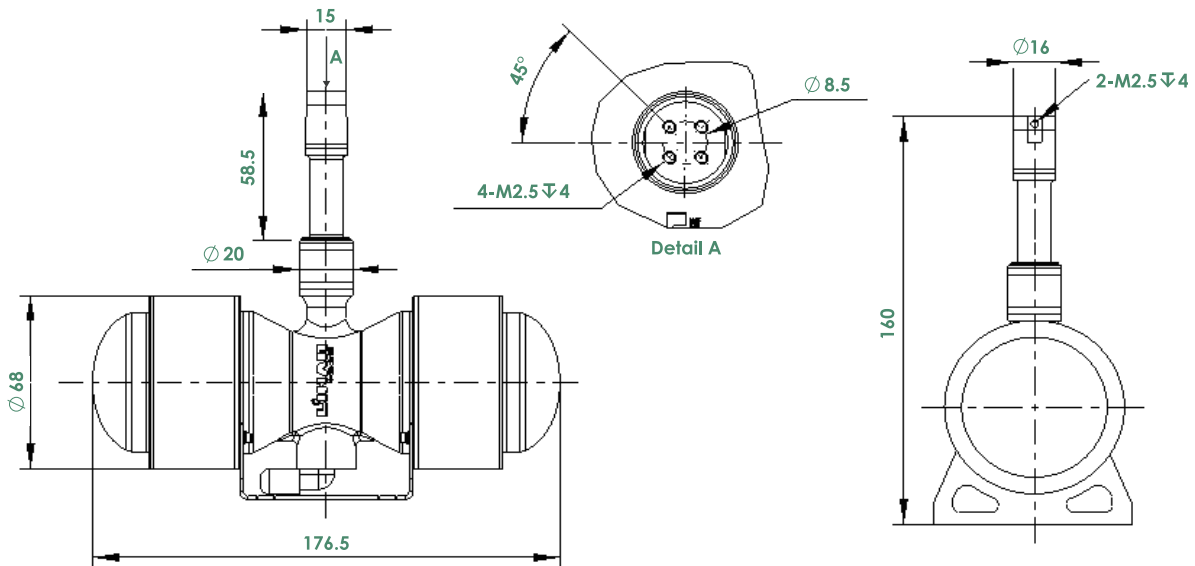
Cooling Capacity vs. Temperature  
80 W Input Power



Percentage of Carnot Efficiency  
80 W Input Power

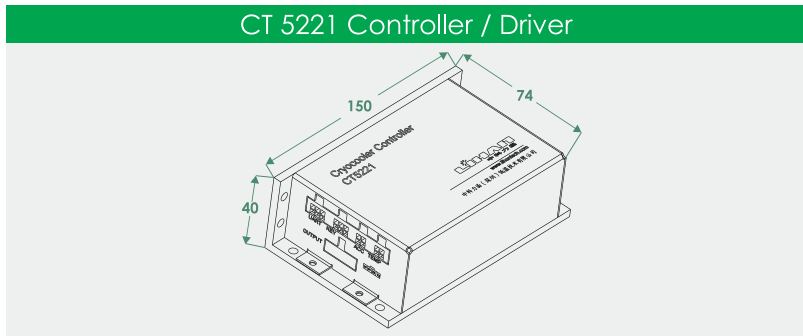
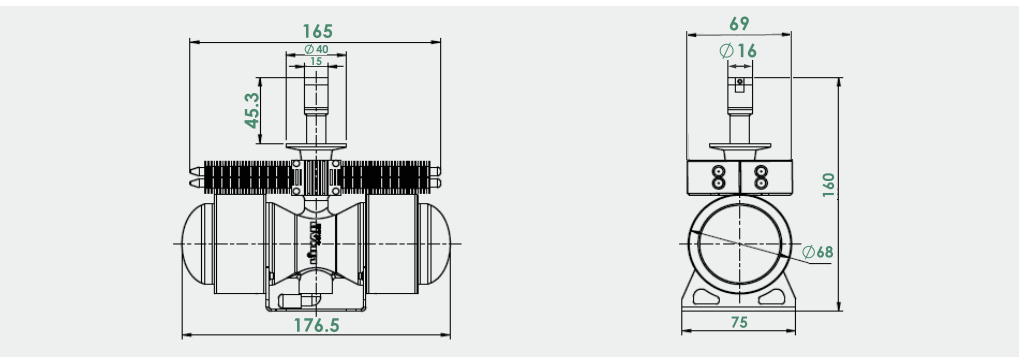
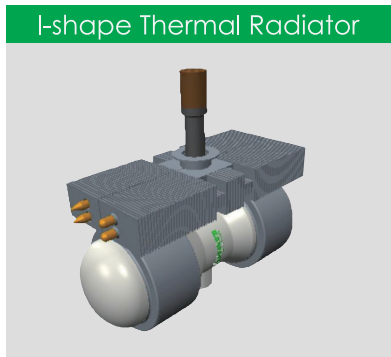


# Specifications and Dimensions



Operating Temperature	-20°C ~ +50°C
Nominal Input Power	80W
Nominal Cooling Capacity (20°C reject)	3W@77K
Max. Cooling Capacity (20°C reject)	5W@77K
Power Supply	DC24V
Lowest Temperature	55K
Weight	2.4kg
Temperature Stability	± 0.1K
Orientation	Any

# Radiator and Controller



### For more information:

Call : +86 755 26985788      Email : sales@lihan.com  
 Web : www.lihan.com  
 Add.: 3/F, Bldg. 4, Pingshan Minqi Industrial Park,  
 Lishan Rd., Nanshan, Shenzhen, 518055, China

\*All dimensions in mm. Data subject to change without notice.

## Cryocooler

# TC4187 TC4188

The TC4187/TC4188 cryocooler integrates linear compressor with dual opposed gas bearing pistons, and a pulse tube cold finger with an acoustic phase shifter.

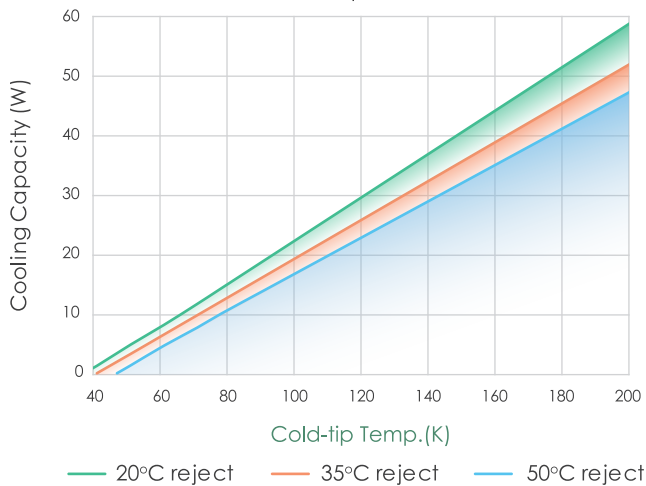


## Features

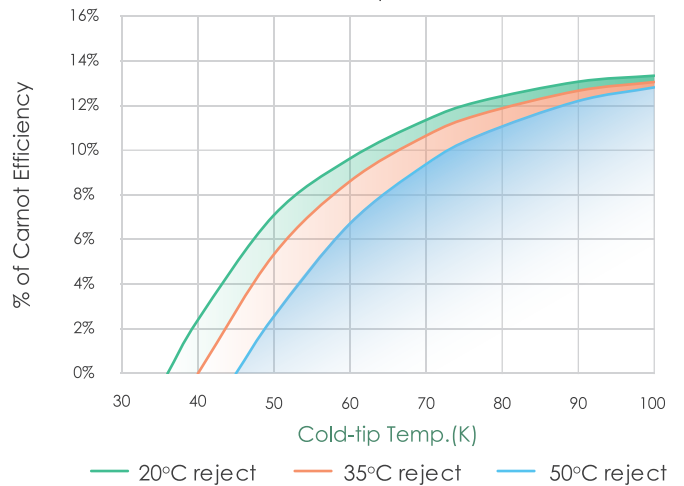
- 1** Dual opposed gas bearing pistons driven by linear motors, high MTTF (> 50000 hrs)
- 2** Pulse tube cold finger with an acoustic phase shifter, high reliability, low vibration
- 3** Integral configuration, easy to use
- 4** Ideal for 24/7 operation

## Typical performance

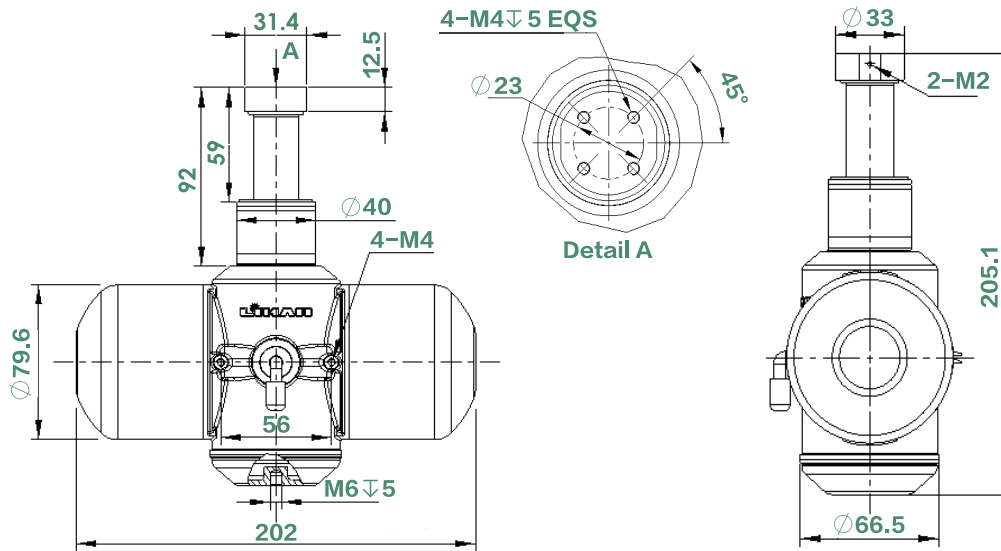
Cooling Capacity vs. Temperature  
320 W Input Power



Percentage of Carnot Efficiency  
320 W Input Power

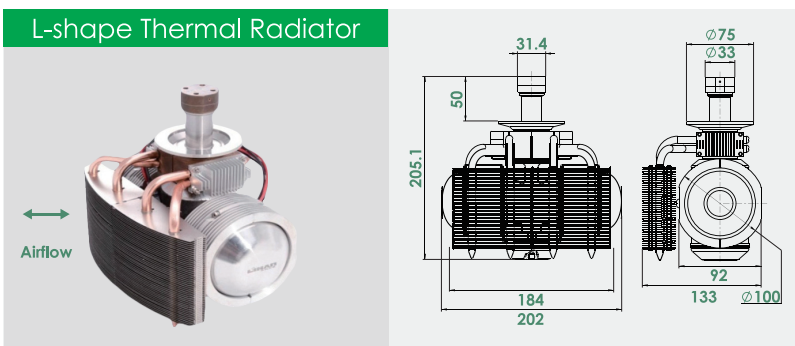
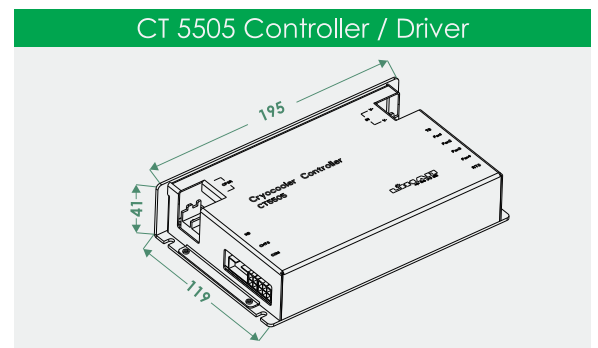
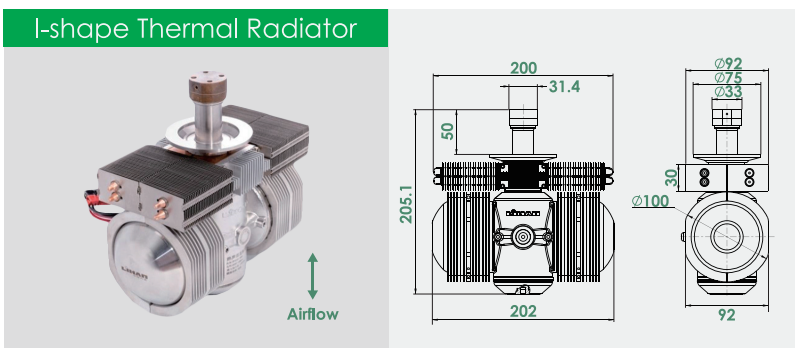


# Specifications and Dimensions



Model	TC4187	TC4188
Operating Temperature	-20°C ~ +50°C	-20°C ~ +50°C
Nominal Input Power	240W	300W
Nominal Cooling Capacity (20°C reject)	10W@77K	15W@77K/2W@40K
Max. Cooling Capacity(20°C reject)	14W@77K	17W@77K
Power Supply	48V DC	48V DC
Lowest Temperature	45K	30K
Weight	4.4kg	4.4kg
Temperature Stability	± 0.1K	± 0.1K
Orientation	Any	Any

# Radiator and Controller



## For more information:

Call : +86 755 26985788

Email : sales@lihan.com

Web : www.lihan.com

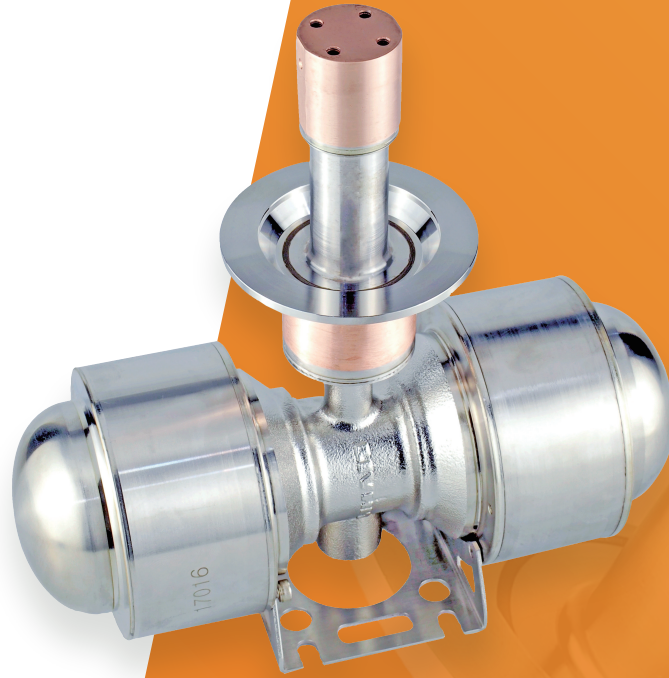
Add.: 3/F, Bldg. 4, Pingshan Minqi Industrial Park, Lishan Rd., Nanshan, Shenzhen, 518055, China

\*All dimensions in mm. Data subject to change without notice.

**Cryocooler** 10W@77K

# TC4189

The TC4189 cryocooler integrates linear compressor with dual opposed gas bearing pistons, and a pulse tube cold finger with dual opposed ambient displacers as the phase shifter. More than 10 W cooling power can be delivered at 77 K tip temperature. It is for applications where the efficiency is one of the key concerns

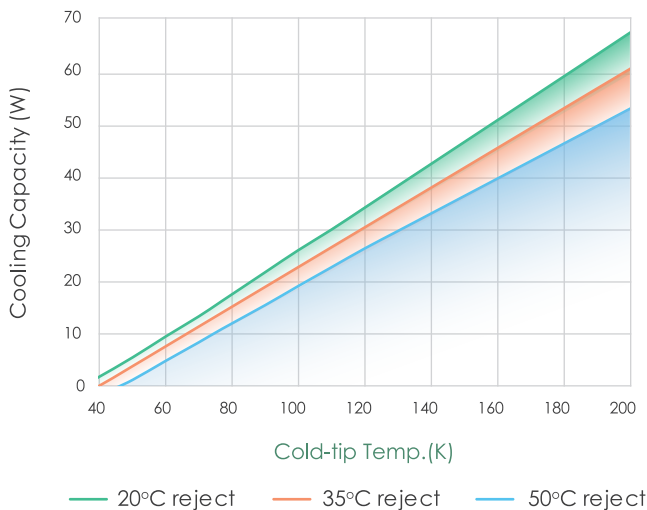


## Features

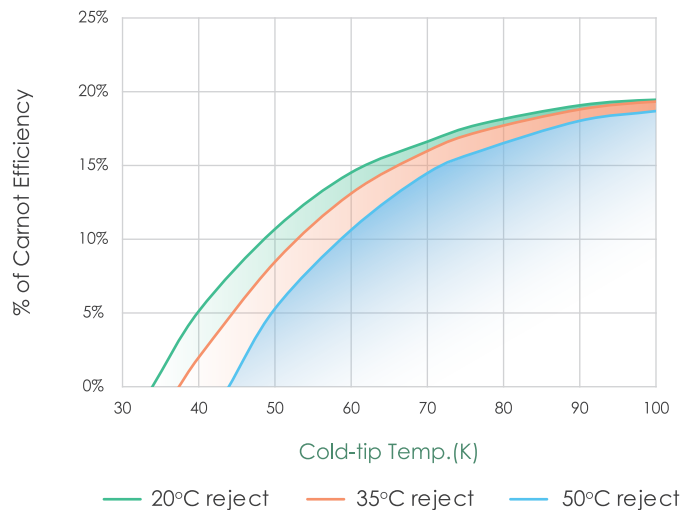
- 1** Dual opposed gas bearing pistons driven by linear motors, high MTF (>50000 hrs)
- 2** Pulse tube cold finger integrated with dual opposed ambient displacers, acoustic power recovery and high efficiency
- 3** Integral configuration, easy to use
- 4** Motor stator isolated from gas chamber, higher reliability
- 5** Ideal for 24/7 operation

## Typical performance

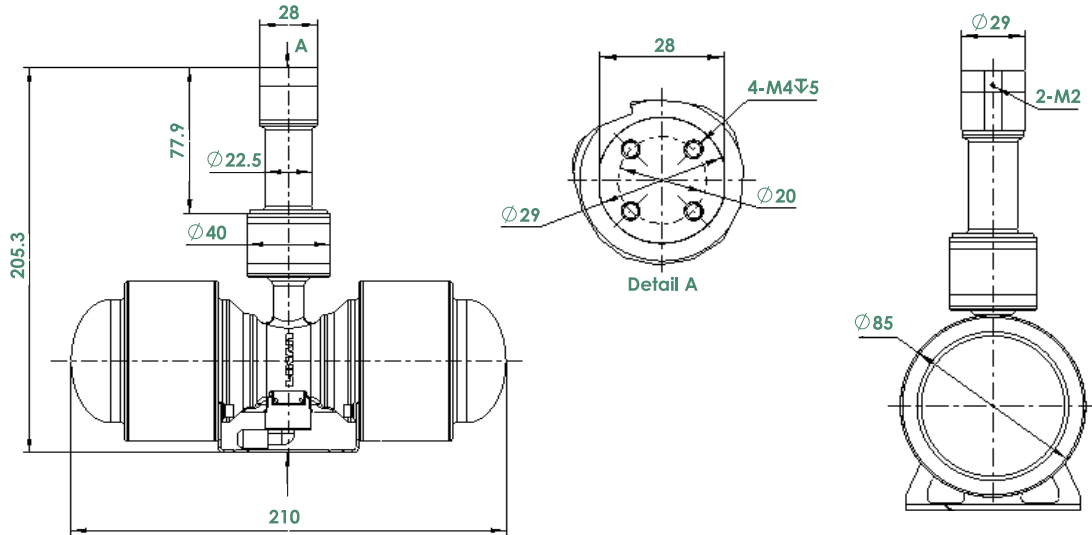
Cooling Capacity vs. Temperature  
240 W Input Power



Percentage of Carnot Efficiency  
240 W Input Power

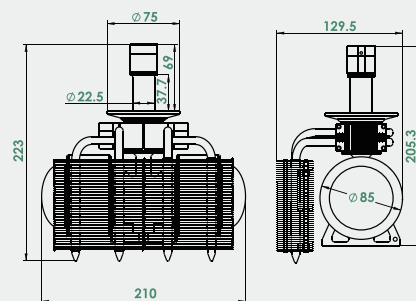
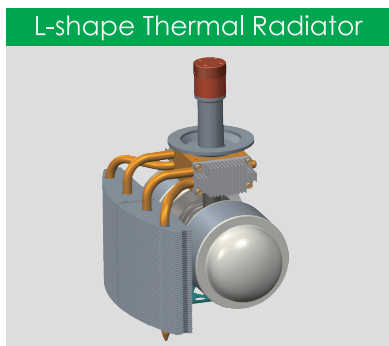
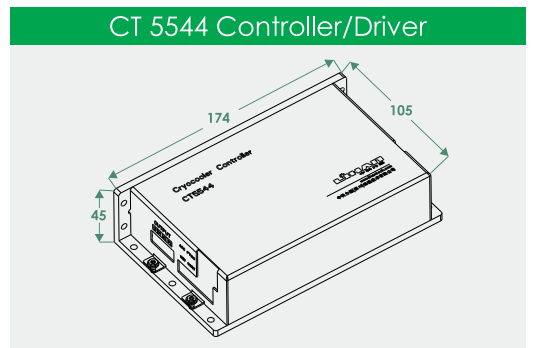
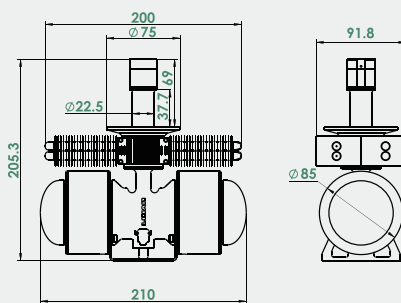
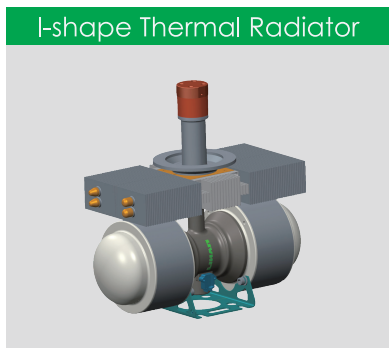


# Specifications and Dimensions



Operating Temperature	-20°C ~ +50°C
Nominal Input Power	160W
Nominal Cooling Capacity (20°C reject)	10W@77K
Max. Cooling Capacity (20°C reject)	16W@77K
Power Supply	DC48V
Lowest Temperature	45K
Weight	4.5kg
Temperature Stability	± 0.1K
Orientation	Any

# Radiator and Controller



**For more information:**

Call : +86 755 26985788      Email : sales@lihan.com  
 Web : www.lihan.com  
 Add.: 3/F, Bldg. 4, Pingshan Minqi Industrial Park,  
 Lishan Rd., Nanshan, Shenzhen, 518055, China

\*All dimensions in mm. Data subject to change without notice.



**Cryocooler** 30W@77K

# TC4382

The TC4382 cryocooler integrates linear compressor with dual opposed gas bearing pistons, and a pulse tube cold finger with dual opposed ambient displacers as the phase shifter. More than 30 W cooling power can be delivered at 77 K tip temperature. It is for applications where the efficiency is one of the key concerns.

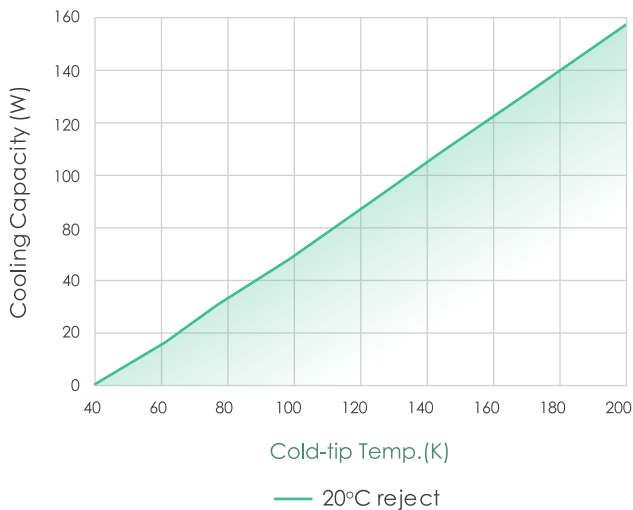


## Features

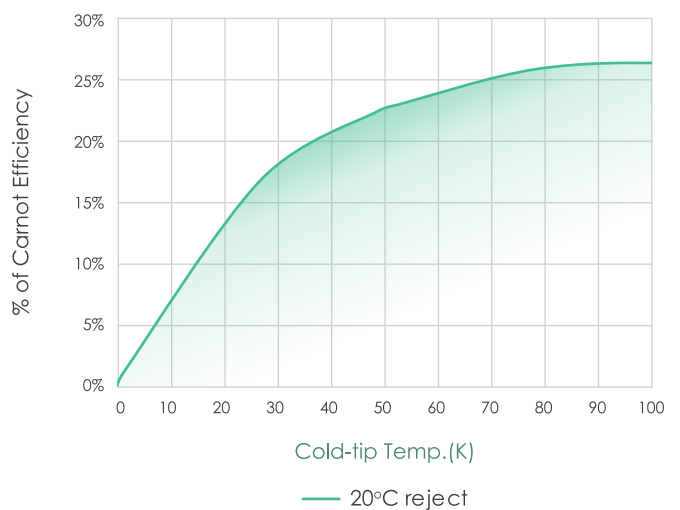
- 1** Dual opposed gas bearing pistons driven by linear motors, high MTTF(>50000 hrs)
- 2** Pulse tube cold finger integrated with dual opposed ambient displacers, acoustic power recovery and high efficiency
- 3** Integral configuration, easy to use
- 4** Motor stator isolated from gas chamber, higher reliability
- 5** Ideal for 24/7 operation

## Typical performance

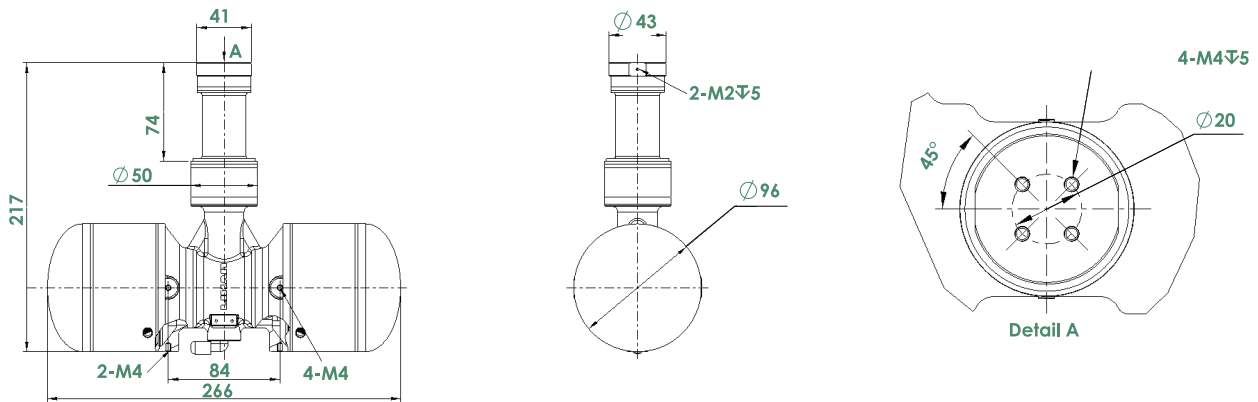
Cooling Capacity vs. Temperature  
420W Input Power



Percentage of Carnot Efficiency  
420W Input Power

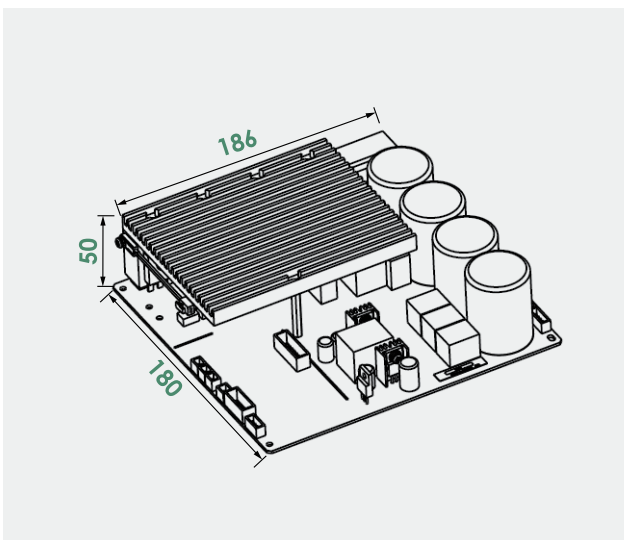


# Specifications and Dimensions



Operating Temperature	-20°C ~ +50°C
Nominal Input Power	420W
Nominal Cooling Capacity (20°C reject)	30W@77K
Max. Cooling Capacity(20°C reject)	35W@77K
Power Supply	220V AC / 110V AC
Lowest Temperature	45K
Weight	7.5kg
Temperature Stability	± 0.1K
Orientation	Any

# Controller



### For more information:

Call : +86 755 26985788

Email : sales@lihan.com

Web : www.lihan.com

Add.: 3/F, Bldg. 4, Pingshan Minqiang Industrial Park,  
Lishan Rd., Nanshan, Shenzhen, 518055, China

\*All dimensions in mm. Data subject to change without notice.

**Cryocooler** 60W@77K

# TC4682



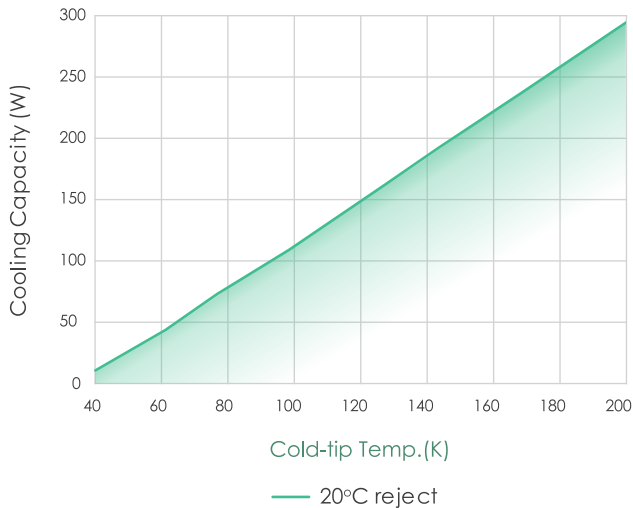
The TC4682 cryocooler integrates linear compressor with dual opposed gas bearing pistons, and a pulse tube cold finger with dual opposed ambient displacers as the phase shifter. More than 60 W cooling power can be delivered at 77 K tip temperature. It is for applications where the efficiency is one of the key concerns.

## Features

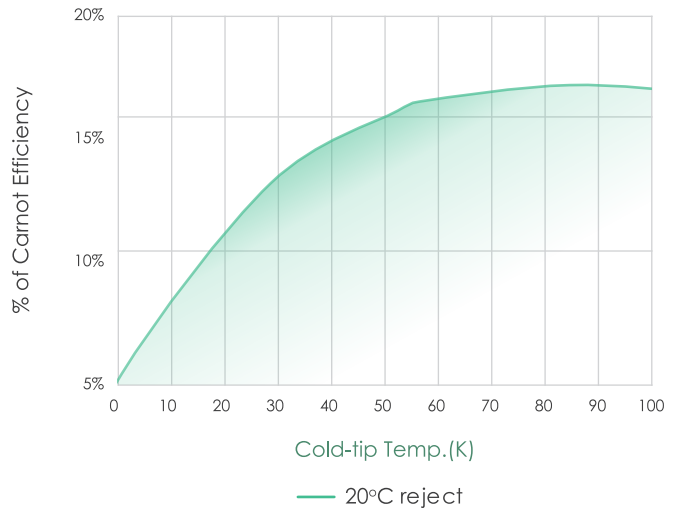
- 1** Dual opposed gas bearing pistons driven by linear motors, high MTTF (>50000 hrs)
- 2** Pulse tube cold finger integrated with dual opposed ambient displacers, acoustic power recovery and high efficiency
- 3** Integral configuration, easy to use
- 4** Motor stator isolated from gas chamber, higher reliability
- 5** Built-in water jacket
- 6** Ideal for 24/7 operation

## Typical performance

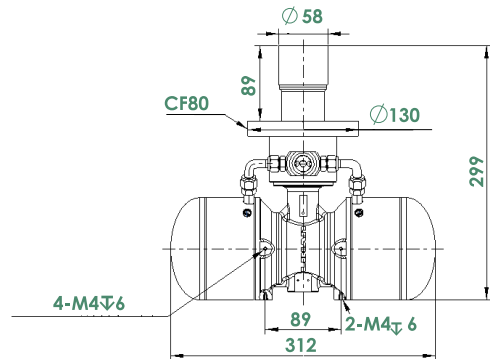
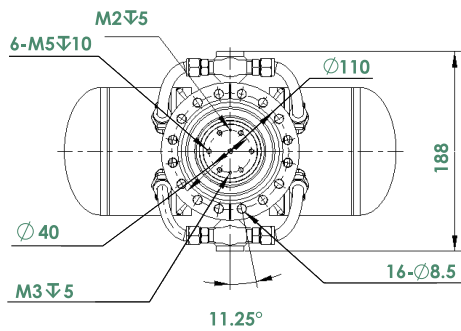
Cooling Capacity vs. Temperature  
1200W Input Power



Percentage of Carnot Efficiency  
1200W Input Power

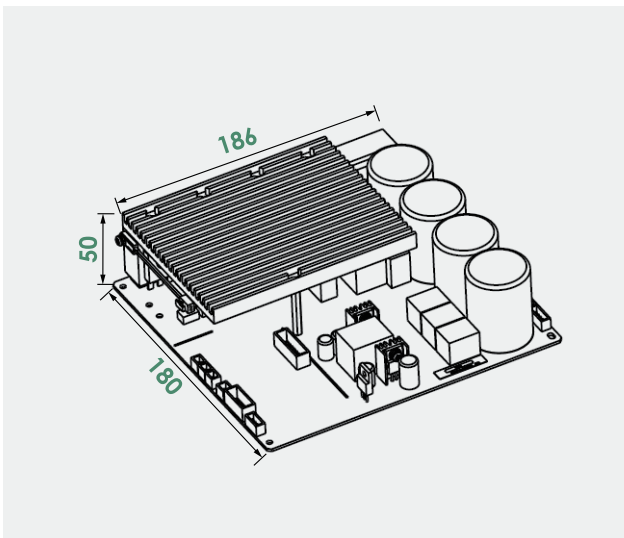


# Specifications and Dimensions



Operating Temperature	-20°C ~ +50°C
Nominal Input Power	1200W
Nominal Cooling Capacity (20°C reject)	60W@77K
Max. Cooling Capacity(20°C reject)	80W@77K
Power Supply	220V AC / 110V AC
Lowest Temperature	45K
Weight	15.5kg
Temperature Stability	± 0.1K
Orientation	Any

# Controller



### For more information:

Call : +86 755 26985788

Email : sales@lihan.com

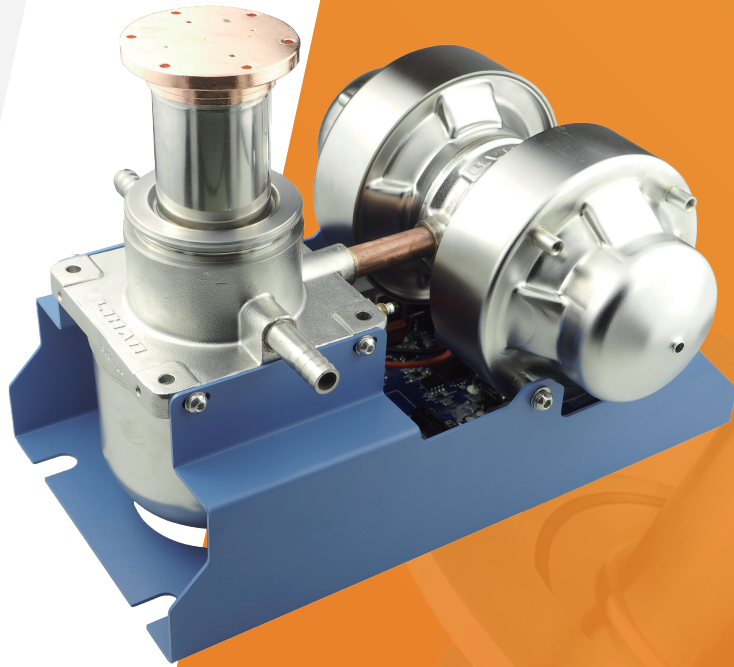
Web : www.lihan.com

Add.: 3/F, Bldg. 4, Pingshan Minqiang Industrial Park,  
Lishan Rd., Nanshan, Shenzhen, 518055, China

\*All dimensions in mm. Data subject to change without notice.

**Cryocooler** 70W@90K

# LC4790 LC4790B



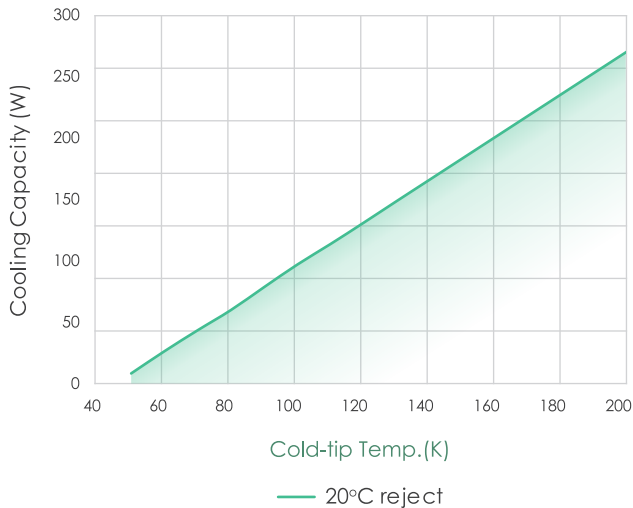
The LC4790/LC4790B cryocooler integrates linear compressor with dual opposed gas bearing pistons, and a pulse tube cold finger with an acoustic phase shifter. It is especially designed as cost-effective cryocooler for general industrial and commercial applications.

## Features

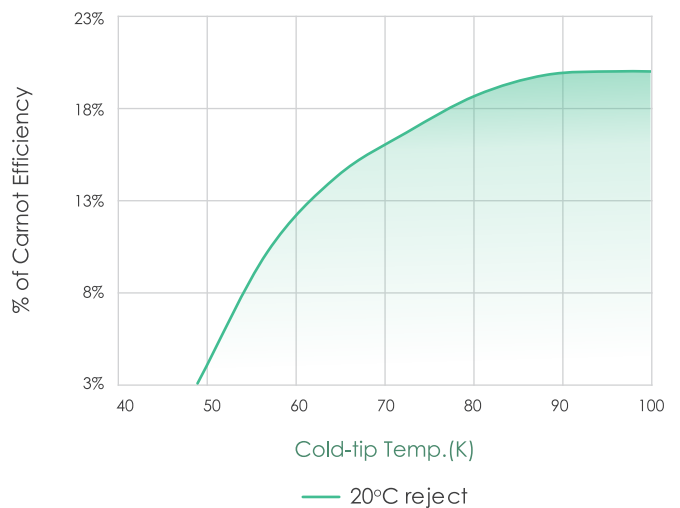
- 1** Dual opposed gas bearing pistons driven by linear motors, high MTF(>20000 hrs)
- 2** Split configuration integrated with controller, easy to use
- 3** Cost-effective
- 4** Water-cooled
- 5** Maintenance free

## Typical performance

Cooling Capacity vs. Temperature  
1200W Input Power



Percentage of Carnot Efficiency  
1200W Input Power

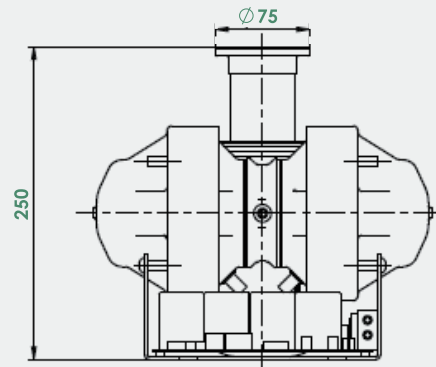
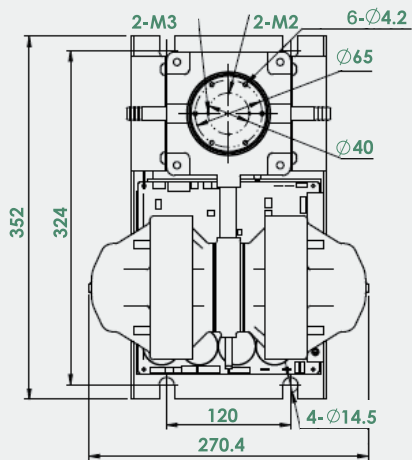


# Specifications

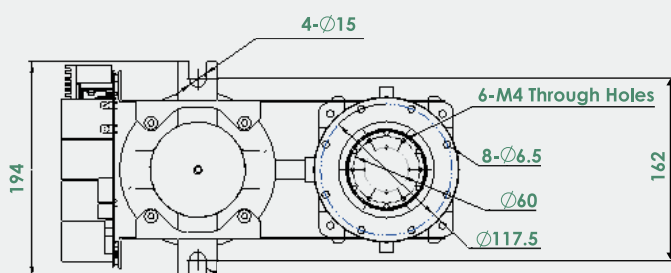
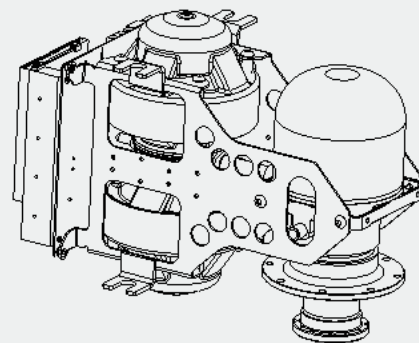
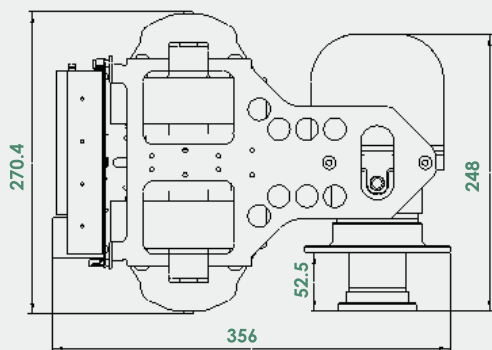
Model	LC4790	LC4790B
Operating Temperature	-20°C ~ +50°C	-20°C ~ +50°C
Nominal Input Power	1200W	1200W
Nominal Cooling Capacity (20°C reject)	70W@90K	70W@90K
Max. Cooling Capacity(20°C reject)	75W@90K	75W@90K
Power Supply	220V AC / 110V AC	220V AC / 110V AC
Lowest Temperature	50K	50K
Weight	14kg	16.5kg
Temperature Stability	± 0.1K	± 0.1K
Orientation	Any	Any

# Dimensions

LC4790



LC4790B



## For more information:

Call : +86 755 26985788

Email : sales@lihan.com

Web : www.lihan.com

Add.: 3/F, Bldg. 4, Pingshan Minqi Industrial Park,  
Lishan Rd., Nanshan, Shenzhen, 518055, China

\*All dimensions in mm. Data subject to change without notice.